

HP Counterbalanced Floorstand

Stand system with manual height adjustment

Item no.: 8219

The HP Counterbalanced Floorstand is a stand system with manual height adjustment. The stand system is suitable for screens and whiteboards with a size of 46 - 70" | 117 - 178 cm screen diagonal. The included VESA mount can be equipped up to a maximum of VESA 800 x 600 mm.

The height of the system is infinitely variable, thanks to a mechanism that can be adjusted to the weight of the device. The screen holds - without locking - safely at the desired height.

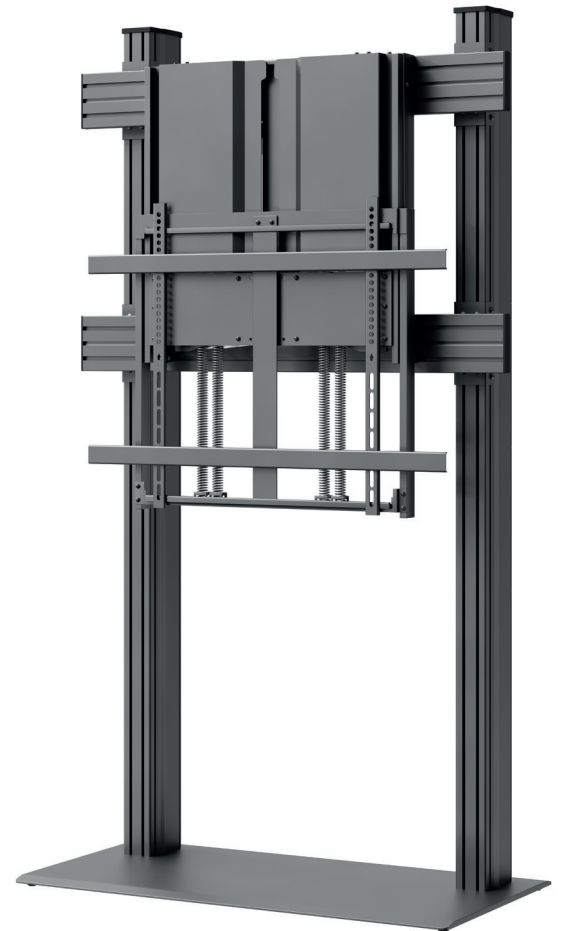
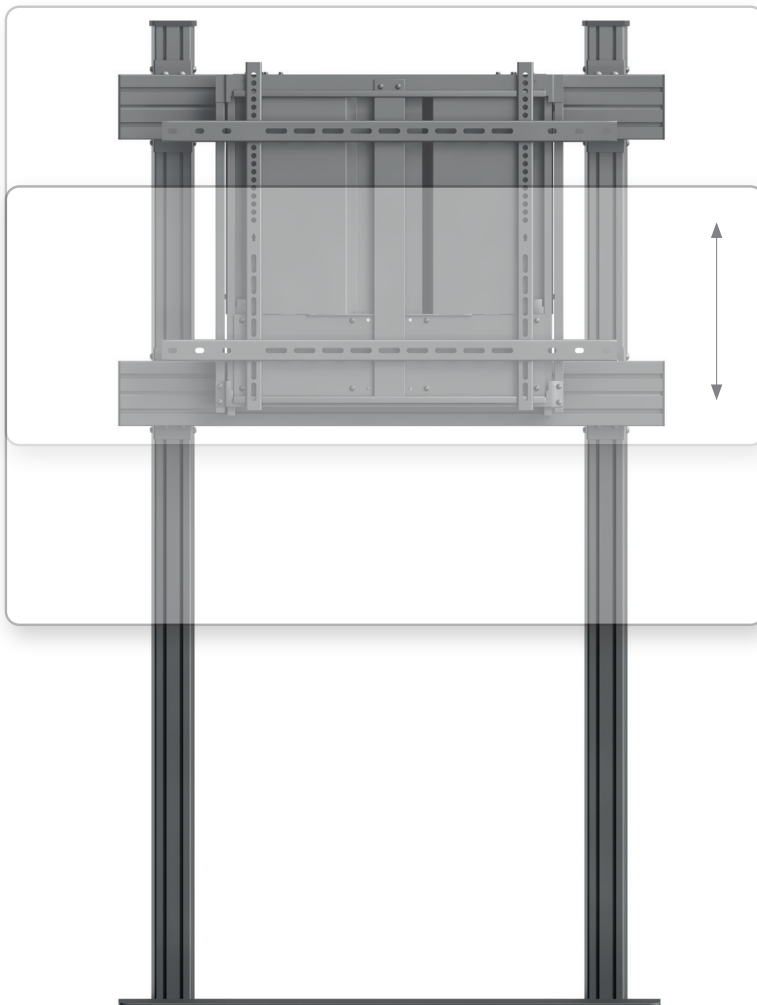
The travel distance is 400 mm.

The load capacity can be adapted to the weight of the device and is between a minimum of 40 and a maximum of 60 kg.

The adjustable feet have a level control to compensate for small unevenness in the floor.

The surfaces of the HP Counterbalanced Floorstand are finished with a solvent free, impact and scratch resistant powder coating in black.

As an alternative, for larger and heavier screens, the HP Counterbalanced Floorstand HD is available.



HP Counterbalanced Floorstand

Stand system with manual height adjustment

Item no.: 8219

- suitable for screens and whiteboards
- 46 - 70" | 117 - 178 cm
- installation in landscape format
- VESA holders up to max. VESA 800 x 600 mm
- manual height adjustment thanks to adjustable to device weight mechanism
- very smooth adjustability
- continuously height adjustable
- 400 mm travel way
- incl. levelling feet
- cable covers on the back of the column
- screen holds securely at the desired height
- load adjustable to device weight
- for screens with a weight from 40 - 60 kg
- solvent free, impact and scratch resistant powder coating in black
- option: Weight plates
Additional Counterbalance weight plate 10 kg
Item no.: 2275
Additional Counterbalance weight plate 20 kg
Item no.: 2276

